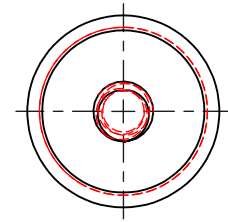
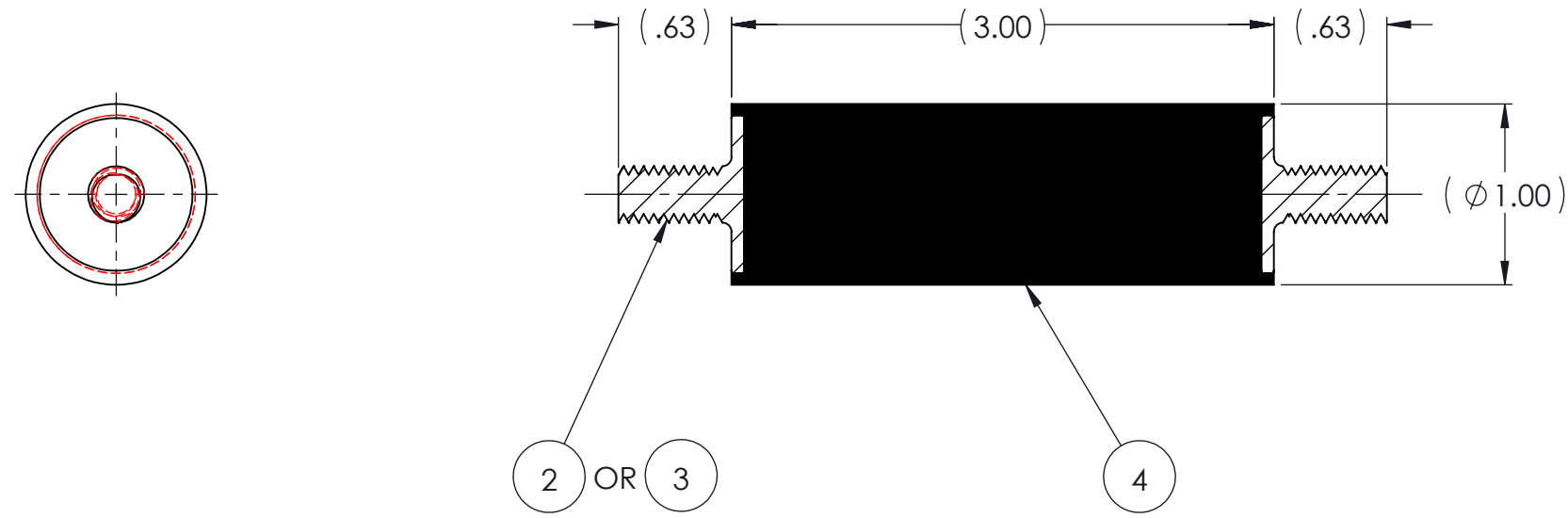


REVISIONS			
REV.	DESCRIPTION	DATE	APPROVED
1	INITIAL RELEASE OF DRAWING	8/8/2014	BS



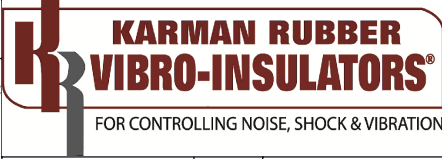
QTY.	DESCRIPTION	PART NUMBER	MATERIAL OR NOTES	ITEM
	AR ELASTOMER	K70-4		4
	2 MK440-M8-5/8	MK440-M6-5/8		3
	2 MK440	MK440		2
	K70	K70		1

NOTES:

- 1 MATERIAL: ELASTOMER AND DUROMETER OF 40, 50, 60 OR 70 TO BE SPECIFIED.
- 2 ALL DIMENSIONS ARE REFERENCE.
- 3 AVAILABLE WITH THEADS OF 5/16-18 UNC X 5/8" AND M8 X 1.25 X 5/8".

PROPRIETARY AND CONFIDENTIAL		SIGNATURE	DATE
THE INFORMATION CONTAINED IN THIS DRAWING IS THE SOLE PROPERTY OF KARMAN RUBBER. ANY REPRODUCTION IN PART OR AS A WHOLE WITHOUT THE WRITTEN PERMISSION OF KARMAN RUBBER IS PROHIBITED.	DRAWN	B. SENEAL	08/08/2014
	CHECK	S. BROWN	08/08/2014
	ENGR	B. SENEAL	08/08/2014
	QA		
	STRESS		
	APPR		

UNLESS OTHERWISE SPECIFIED:  
 DIMENSIONS ARE IN INCHES  
 TOLERANCES:  
 .X = ± 0.031  
 .XXX = ± 0.0031  
 ANGLES = ± 1°  
 INTERPRET GEOMETRIC TOLERANCING PER: ASME Y14.5M-1994



TITLE: K70 SERIES VIBRO-INSULATOR WWW.KARMAN.COM		DWG. NO. K70		REV 1
SIZE B	CAGE CODE	SCALE: 1:1	WEIGHT: 2.8 OZ.	SHEET 1 OF 1

DO NOT SCALE DRAWING